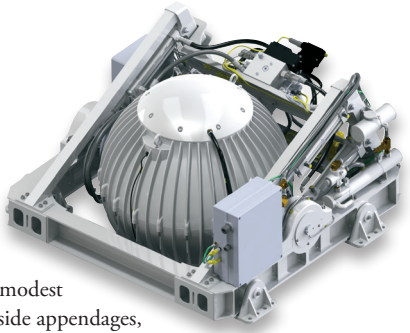


### The Seakeeper M26000

is designed to achieve up to 60 to 80% roll reduction on vessels up to 100 tons (typically up to 100 ft). Multiple units can be fitted for larger vessels.

The M26000 requires only modest electrical power, has no outside appendages, and can be installed off centerline, if necessary.

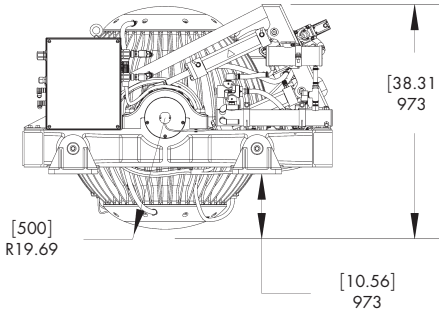
Its computerized control and vacuum technology make it the first truly practical, and only modern, anti-roll gyro.



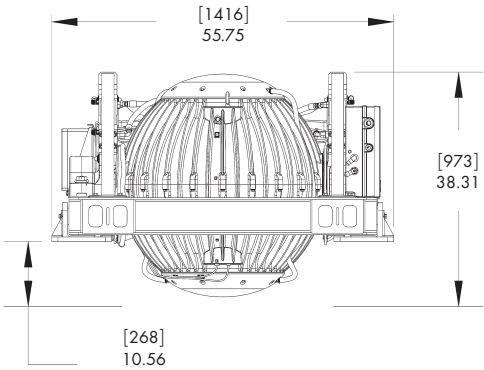
## S P E C I F I C A T I O N S

<b>Rated Speed</b>	5000 RPM
<b>Angular Momentum at Rated RPM</b>	26,000 N-M-S
<b>Anti-Rolling Torque at Rated RPM</b>	56,000 N-M
<b>Spool-up Time to Rated RPM</b>	75 Minutes at 20C ambient temperature
<b>Spool-up Time to Stabilization</b>	30 Minutes (60% RPM)
<b>Spool-up Power</b>	
AC Motor:	3000 Watts
DC Control:	240 Watts
<b>Operating Power</b>	
AC Motor (sea state dependent):	1000-3000 Watts
DC Control:	240 Watts
AC Input Voltage:	208-230VAC (+/- 10%), 50/60Hz Single Phase
DC Input Voltage:	24VDC @ 10 Amps
<b>Sea Water Supply to Heat Exchanger</b>	15.1 liters/min (4 gal/min)
<b>Maximum Ambient Air Temperature</b>	60 Deg C (140 Deg F)
<b>Weight</b>	1338 Kg (2950 Lbs)
<b>Gyro Dimensions</b>	Length x Width x Height 1.28 L x 1.42 W x 0.94 H (meters) 50.39 L x 55.9 W x 37 H (inches)
<b>Noise Output</b>	Steady state noise measured in the factory at a 1 meter distance measures 72-74 dBC.

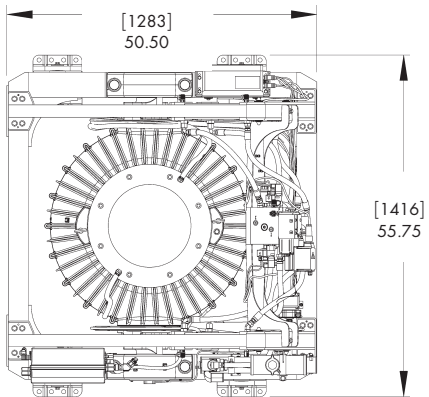
SIDE VIEW



FORE/AFT VIEW



TOP VIEW



**SEAKEEPER®**

Seakeeper Inc. 44425 Pecan Court, Suite 151, California, MD 20619 U.S.A.

Tel: 410.326.1590 Fax: 410.326.1199 seakeeper.com